

FIGURE 6-7 POWER SUPPLY SCHEMATIC

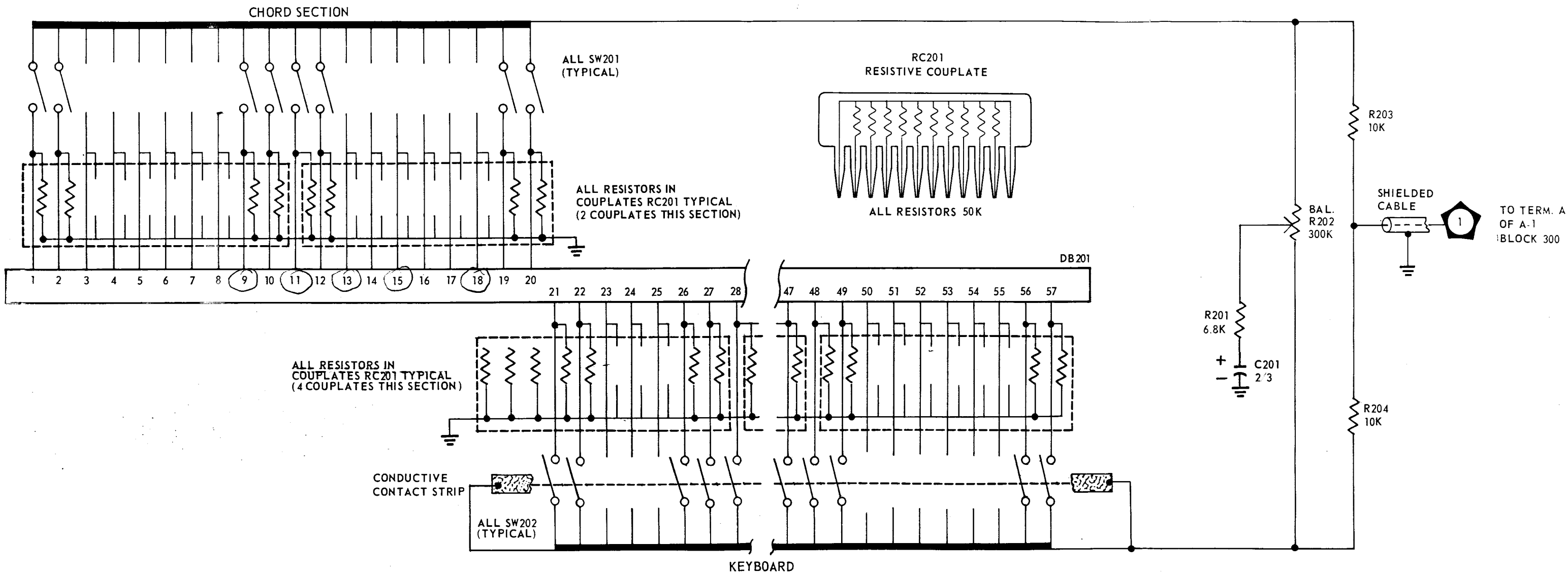


FIGURE 6-8 SWITCHING SCHEMATIC

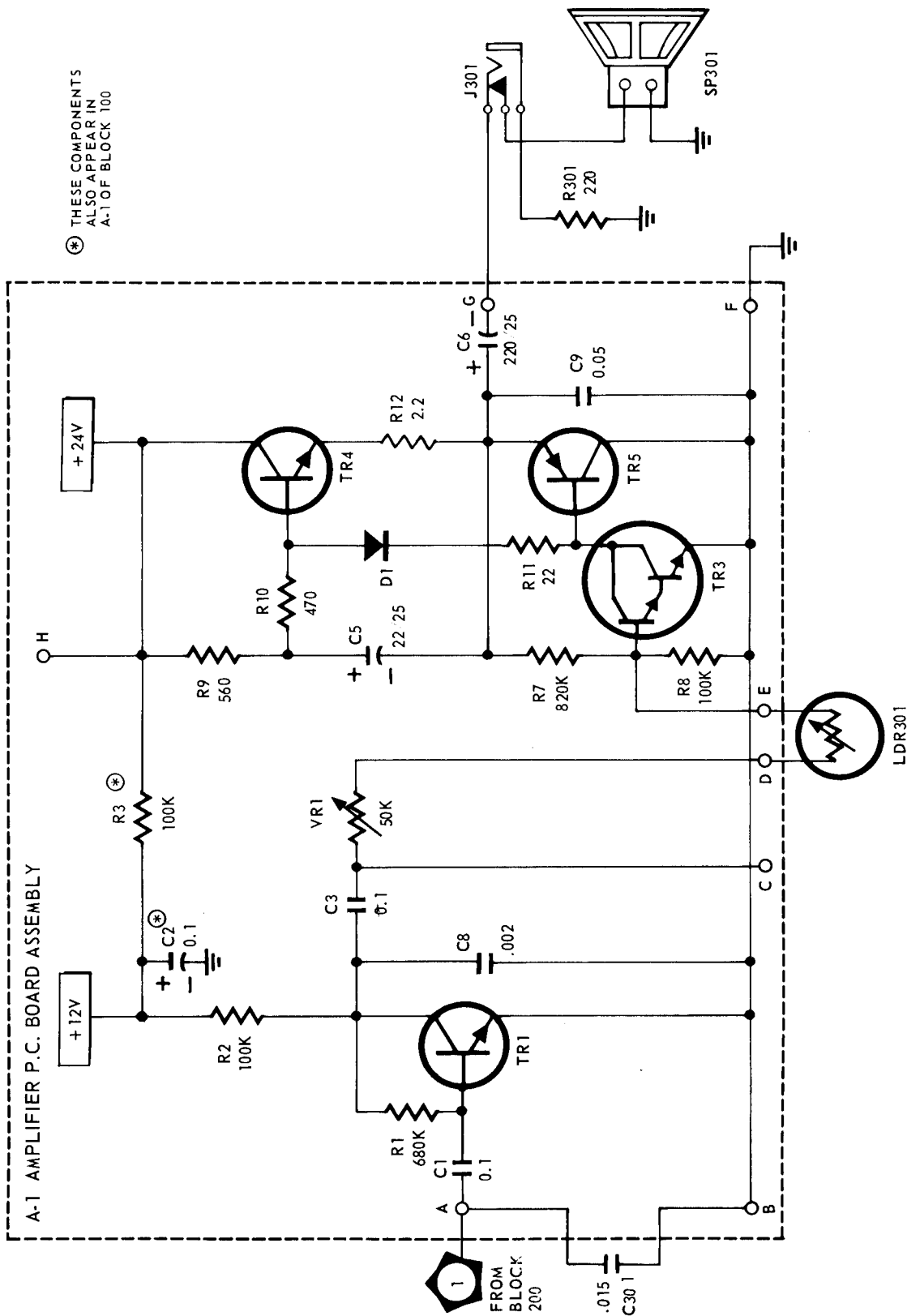


FIGURE 6-9 AMPLIFIER SCHEMATIC